

ASSEMBLING INSTRUCTION

GRIPS RIDE BY WIRE FITTING

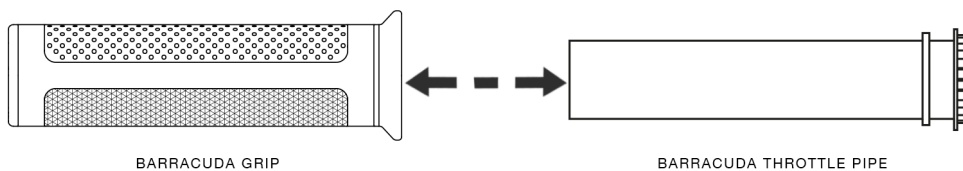
WWW.BARRACUDAMOTO.COM

KIT

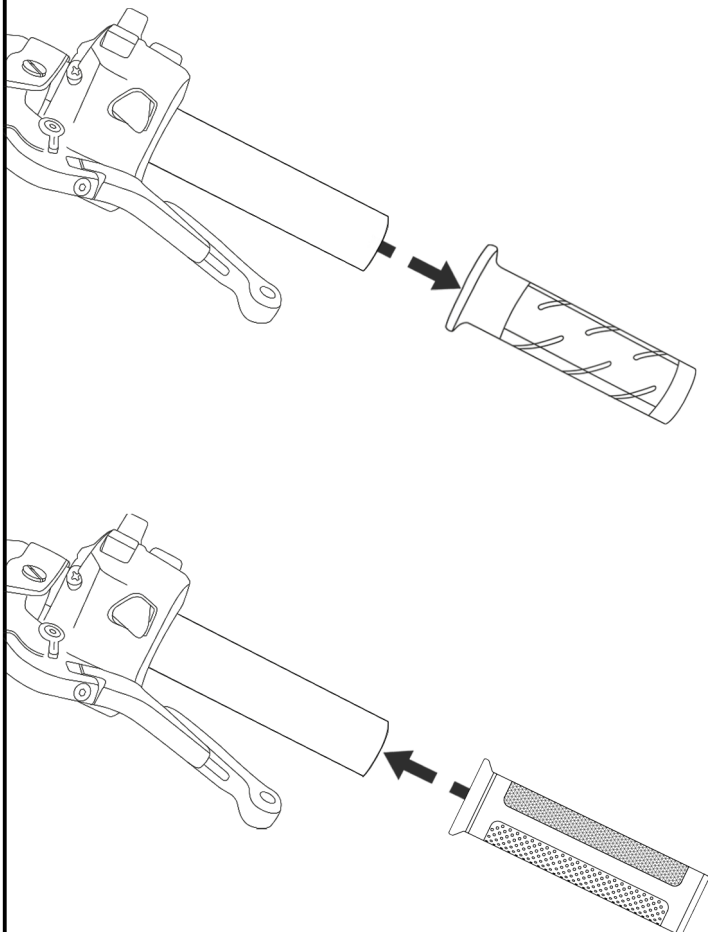
- 0. ORIGINAL COMPONENT
COMPONENTE ORIGINALE
COMPONENTE ORIGINAL
ORIGINAL KOMPONENTE
COMPOSANT D'ORIGINE
- 1. THROTTLE PIPE
TIRAGAS
TIRAGAS
ZIEHT GAS
TIRAGE ACCÉLÉRATEUR
- 2. GRIPS
MANOPOLE
PUÑOS
GRIFFE
POIGNEES
- 3. THROTTLE ADAPTER
ADATTATORE ACCELERATORE
ADAPTADOR DEL ACELERADOR
BESCHLEUNIGERADAPTER
EXPANSEUR EN GOMME

RIDE BY WIRE MOUNTING

REMOVE THE THROTTLE PIPE FROM BARRACUDA GRIPS



LEFT SIDE



RIGHT SIDE

