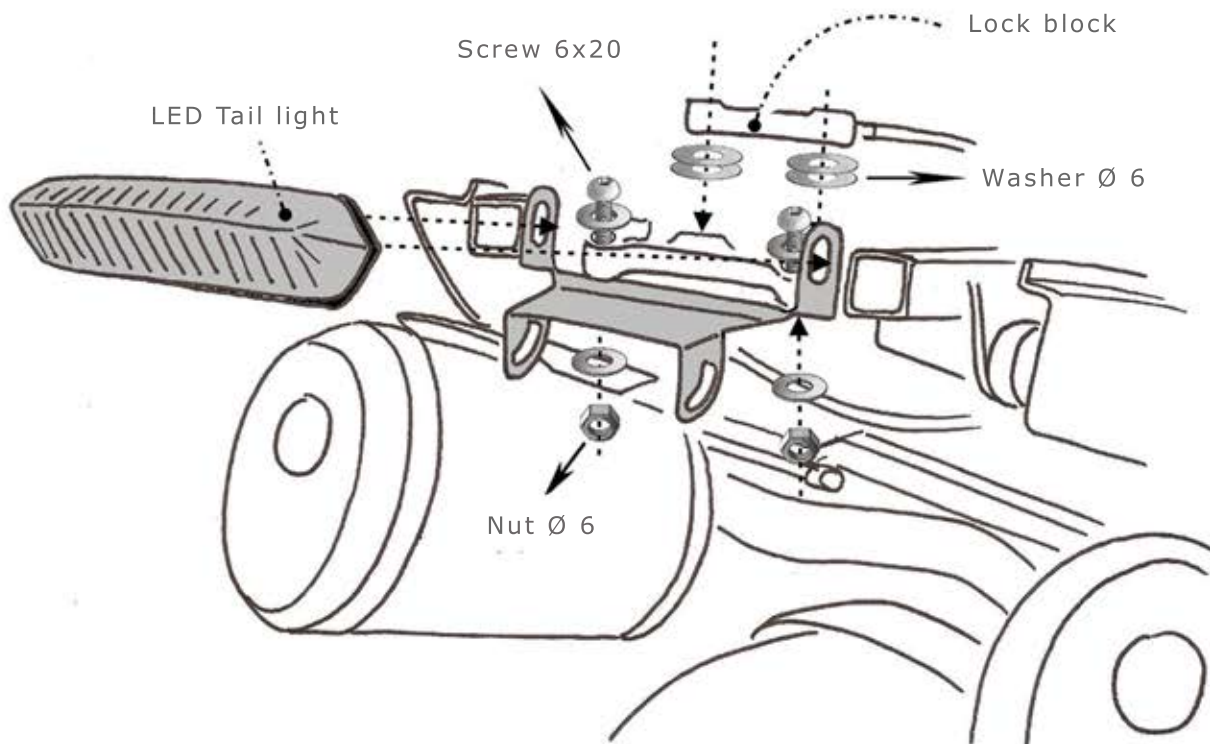


MOUNTING PROCEDURE**KIT LICENCE PLATE
TRIUMPH SPEED TRIPLE '08 - '10****TS9104/08-BN**WWW.BARRACUDAMOTO.COM**KIT**

- X1. UNDERTAIL
- X1. STIRRUP FOR TAIL LIGHT
- X1. LED TAIL LIGHT
- X1. LICENCE PLATE BARRACUDA
- X6. LARGE WASHER DIAMETER 6
- X2. ROUND HEAD SCREW 6X20
- X2. ROUND HEAD SCREW 6X14
- X4. WASHER DIAMETER 6
- X4. RUBBER WASHER
- X4. NUT DIAMETER 6
- X2. LOCKING NUT DIAMETER 6



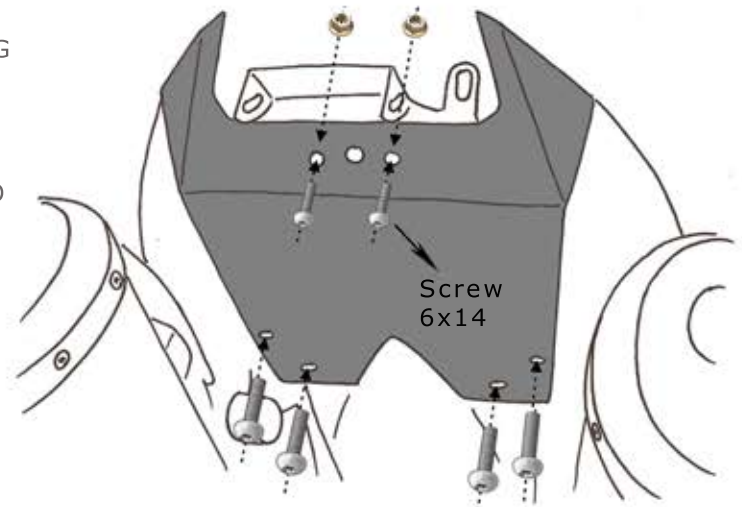
REMOVE THE ORIGINAL LICENCE PLATE INCLUDING THE IRON STIRRUP UNDER THE LOCK SO SPACE THE LOCK WITH THE TWO DIAMETER 6 WASHERS (TWO FOR EACH PART).

FIX THE STEEL STIRRUP ON THE FRAME WITH TWO 6X20 SCREWS, WASHER AND LOCKING NUTS.

INSERT THE LED TAIL LIGHT AND FIX IT WITH THE WASHERS AND NUTS.

APPLY THE UNDERTAIL USING THE 6X14 SCREWS AND FIXING WITH THE TWO NUTS; INSERT RUBBER WASHERS BETWEEN THE STIRRUP AND UNDERTAIL.

ON THE BACK PART OF MOTORBIKE USE THE ORIGINAL SCREWS TO FIX.



WE ADVISE AN INCLINATION NOT EXCEEDING TO 30° TO AVOID SANCTIONS AND POSSIBLE DAMAGES.