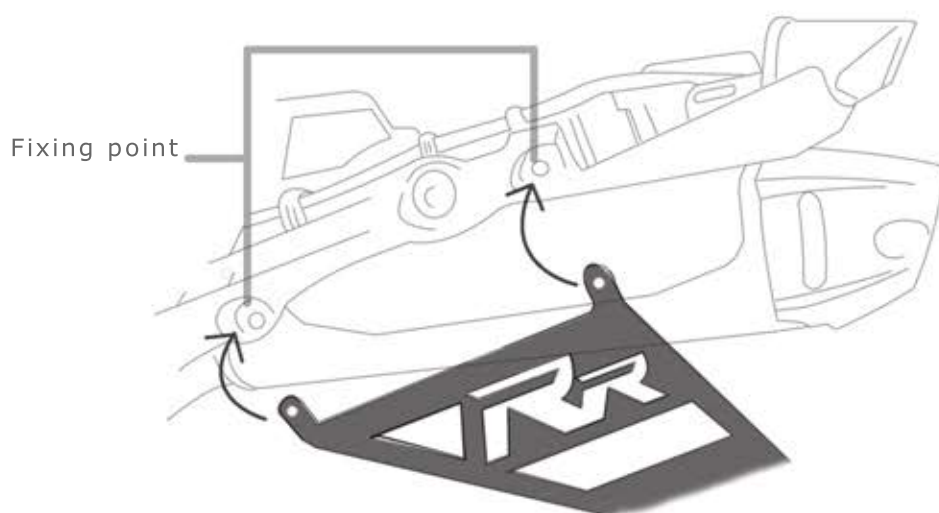


**MOUNTING PROCEDURE****KIT**X1 SPECIFIC BRACKET  
X1 "X" LICENCE PLATEKIT LICENCE PLATE  
HONDA CBR 600 RR '13**HP6104-RR-13**[WWW.BARRACUDAMOTO.COM](http://WWW.BARRACUDAMOTO.COM)**STEP 1**

REMOVE THE REAR FAIRING OF LICENCE PLATE AND UNINSTALL THE ORIGINAL LICENCE PLATE

**STEP 2**

APPROACH THE SPECIFIC BRACKET TO THE REAR LICENCE PLATE AND INSTALL USING THE ORIGINAL SCREWS; LOCK ALL AND FIX AGAIN THE FAIRING. APPLY THE "X" LICENCE PLATE TO THE BRACKET USING THE SCREW INCLUDED IN THE KIT.



NOTE: WE ADVISE AN INCLINATION NO MORE OF 30° TO AVOID SANCTIONS AND POSSIBLE DAMAGES