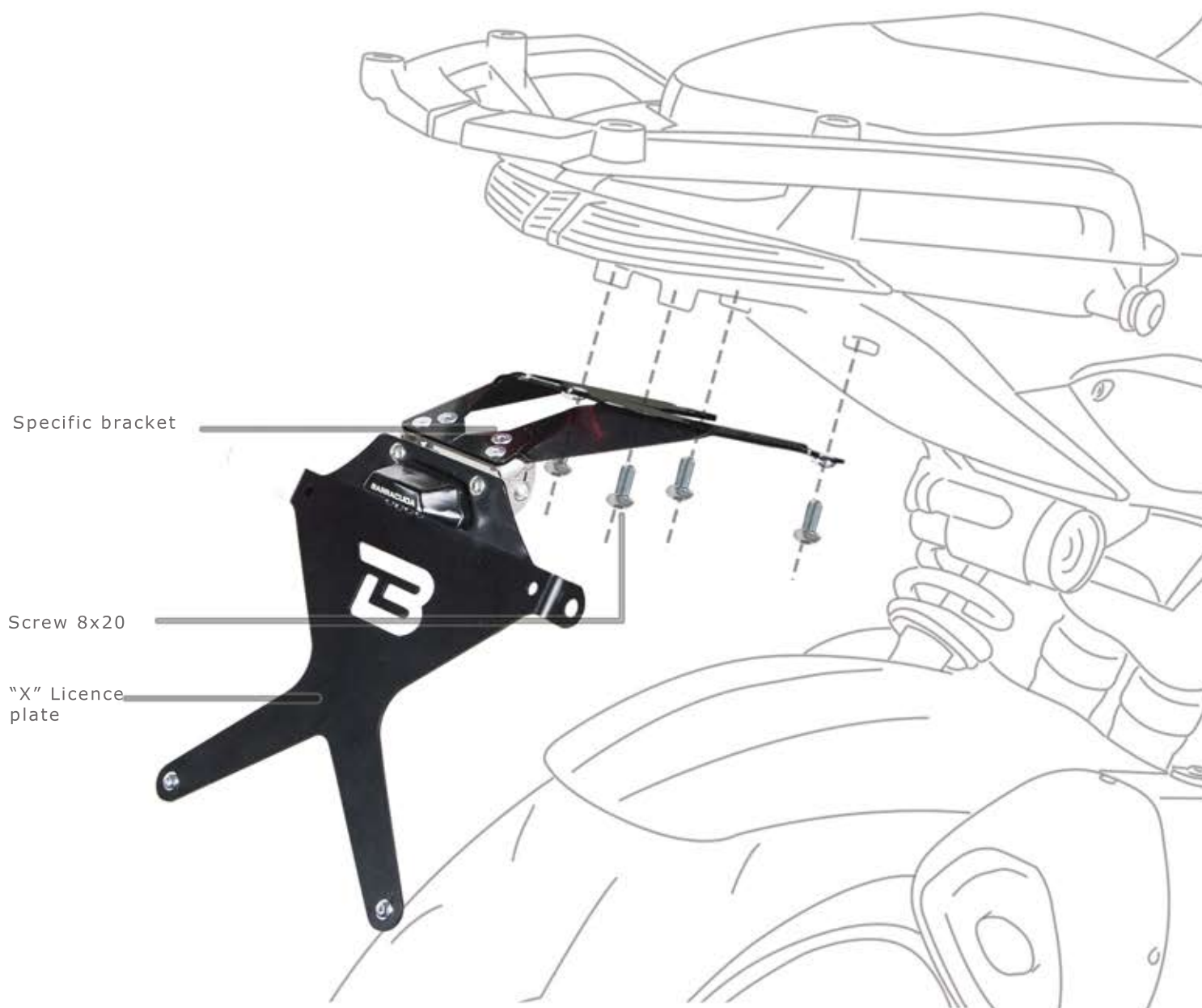


**MOUNTING PROCEDURE****KIT LICENCE PLATE  
DUCATI HYPERSTRADA****DH8104**[WWW.BARRACUDAMOTO.COM](http://WWW.BARRACUDAMOTO.COM)**MOUNTING:**

- REMOVE THE ORIGINAL LICENCE PLATE AND APPROACH THE BARRACUDA SPECIFIC BRACKETS UNDER THE UNDERTAIL FINDING THE FIXING POINTS
- FIX THE LICENCE PLATE USING THE 4 SCREWS 8X20
- REPEAT THIS OPERATION FOR ALL THE FIXING POINT OF BRACKET
- APPLY THE "X" LICENCE PLATE TO THE JUNCTION OF SPECIFIC BRACKET



WE ADVISE AN INCLINATION NOT EXCEEDING TO 30° TO AVOID SANCTIONS AND POSSIBLE DAMAGES.